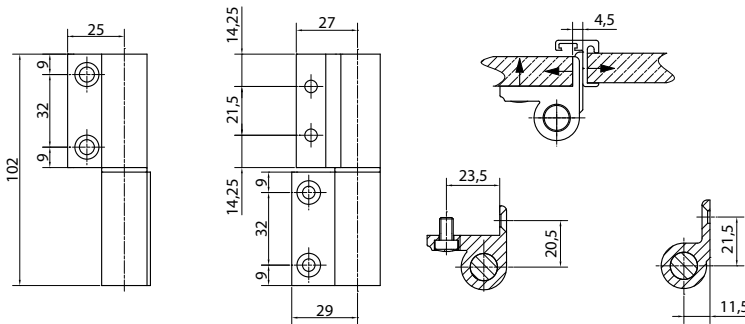


Aluminium butt hinge SYS-AL13-1



Technical facts

Size:	102,0 mm
Knuckle diameter:	20 mm
Hinge pin diameter:	12 mm
Hinge pin:	Stainless steel
Spring core:	Sleeve: steel galvanised, Spring: spring steel Stainless steel (additional charge)
Recommended fixation:	Door leaf: cylinder head screw (SS) M6 x 10 incl. screw cover (2 pieces included)
Packing unit:	30 hinges



Tender specification

SYSKO-Aluminium butt hinge Type: SYS-AL13-1 for unrebated partition walls
 2-parts butt hinge for fixation to door leaf and door-narrow-side without cutout
 Hinge surface aluminium anodised or powder-coated
 Bush bearing in nylon to guide hinge pins
 Available as standard hinge (AL13-1S) or spring hinge (AL13-1F)
 Unhinge safety for spring hinge (additional charge)

Article	Description	Order number
AL13-1S DIN L	Standard hinge aluminium anodised	84AL131SEVL
AL13-1S DIN R	Standard hinge aluminium anodised	84AL131SEVR
AL13-1F DIN L	Spring hinge aluminium anodised	84AL131FEVL
AL13-1F DIN R	Spring hinge aluminium anodised	84AL131FEVR
AL13-1S DIN L	Standard hinge powder-coated (11 colours - colour chart enclosed)	84AL131S_ _ _ _ L (Please specify RAL no.!)
AL13-1S DIN R	Standard hinge powder-coated (11 colours - colour chart enclosed)	84AL131S_ _ _ _ R (Please specify RAL no.!)
AL13-1F DIN L	Spring hinge powder-coated (11 colours - colour chart enclosed)	84AL131F_ _ _ _ L (Please specify RAL no.!)
AL13-1F DIN R	Spring hinge powder-coated (11 colours - colour chart enclosed)	84AL131F_ _ _ _ R (Please specify RAL no.!)
Additional charge	Unhinge safety for spring hinge	MP84AUSH
Additional charge	Spring core, spring and sleeve in stainless steel	MP84FKES102

Notes

