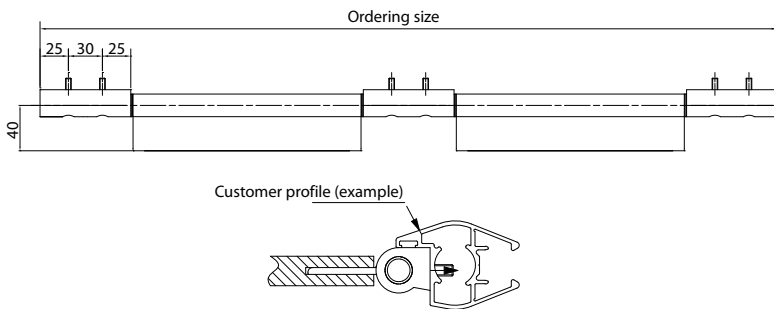


Technical facts

Size:	up to 2000 mm (customer request)
Knuckle diameter:	20 mm
Hinge pin diameter:	12 mm
Hinge pin:	Stainless steel
Panels fixation:	Glue or additional riveting
Components:	Door-intake-profile (2 pieces) Fixation hinge Block (3 pieces) Lower block performs as spring hinge



Tender specification

SYSKO-Aluminium finger protection hinge Type: SYS-AL-NCR for partition walls
 Suitably for 13 mm panel material
 Finger protection is guaranteed through hinge construction
 Slit cutting on narrow-door-side
 Hinge surface aluminium anodised or powder-coated
 By default self-closing through spring force
 Rubber lips, brushes or special profiles are not required at the hinge side
 Application only with inward-opening cubicle doors

Article	Description	Order number
AL-NCR DIN L	NCR-hinge aluminium raw	84ALNCR0L
AL-NCR DIN R	NCR-hinge aluminium raw	84ALNCR0R
AL-NCR DIN L	NCR-hinge aluminium anodised	84ALNCR0VL
AL-NCR DIN R	NCR-hinge aluminium anodised	84ALNCR0VR
AL-NCR DIN L	NCR-hinge powder-coated (11 colours - colour chart enclosed)	84ALNCR_ _ _ _L (Please specify RAL no.!)
AL-NCR DIN R	NCR-hinge powder-coated (11 colours - colour chart enclosed)	84ALNCR_ _ _ _R (Please specify RAL no.!)
Additional charge	Drill template for assembly	MP84NCRBS

Notes

