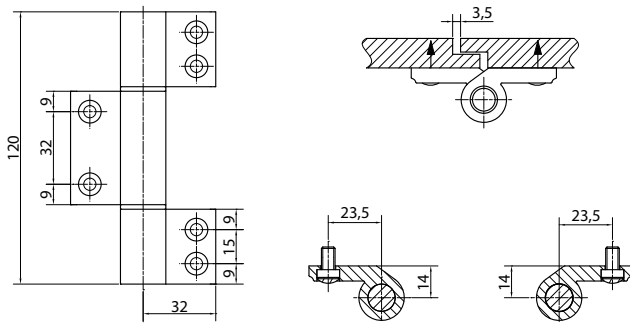


Aluminium butt hinge SYS-AL13-2.1/3



Technical facts

Size:	120,0 mm
Knuckle diameter:	20 mm
Hinge pin diameter:	12 mm
Hinge pin:	Stainless steel
Spring core:	Sleeve: steel galvanised, Spring: spring steel Stainless steel (additional charge)
Recommended fixation:	Door leaf: cylinder head screw (SS) M6 x 10 incl. screw cover (6 pieces included)
Packing unit:	8 hinges



Tender specification

SYSKO-Aluminium butt hinge Type: SYS-AL13-2.1/3 for rebated partition walls
 3-parts butt hinge for fixation to door leaf without cutout
 Hinge surface aluminium anodised or powder-coated
 Bush bearing in nylon to guide hinge pins
 Available as standard hinge (AL13-2.1/3S) or spring hinge (AL13-2.1/3F)

Article	Description	Order number
AL13-2.1/3S DIN L	Standard hinge aluminium anodised	84AL13213SEVL
AL13-2.1/3S DIN R	Standard hinge aluminium anodised	84AL13213SEVR
AL13-2.1/3F DIN L	Spring hinge aluminium anodised	84AL13213FEVL
AL13-2.1/3F DIN R	Spring hinge aluminium anodised	84AL13213FEVR
AL13-2.1/3S DIN L	Standard hinge powder-coated (11 colours - colour chart enclosed)	84AL13213S____L (Please specify RAL no.!)
AL13-2.1/3S DIN R	Standard hinge powder-coated (11 colours - colour chart enclosed)	84AL13213S____R (Please specify RAL no.!)
AL13-2.1/3F DIN L	Spring hinge powder-coated (11 colours - colour chart enclosed)	84AL13213F____L (Please specify RAL no.!)
AL13-2.1/3F DIN R	Spring hinge powder-coated (11 colours - colour chart enclosed)	84AL13213F____R (Please specify RAL no.!)
Additional charge	Spring core, spring and sleeve in stainless steel	MP84FKES120

Notes
