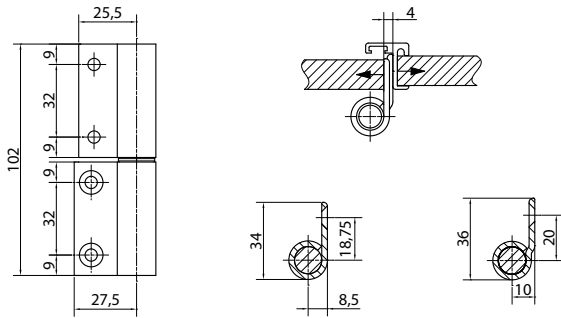


Stainless steel butt hinge SYS-ES13-1



Technical facts

Size:	102,0 mm
Knuckle diameter:	17 mm
Hinge pin diameter:	12 mm
Hinge pin:	Stainless steel
Spring core:	Sleeve: brass, Spring: spring steel
	Stainless steel spring (additional charge)
Recommended fixation:	Direct fixation to door-narrow-side (not included)
Packing unit:	40 hinges



Tender specification

SYSKO-Stainless steel butt hinge Type: SYS-ES13-1 for unrebated partition walls
 2-parts butt hinge for fixation to door-narrow-side without cutout
 Hinge surface ground stainless steel
 Available as standard hinge (ES13-1S) or spring hinge (ES13-1F)
 Unhinge safety for spring hinge (additional charge)

Article	Description	Order number
ES13-1S DIN L	Standard hinge ground stainless steel	84ES131SL
ES13-1S DIN R	Standard hinge ground stainless steel	84ES131SR
ES13-1F DIN L	Spring hinge ground stainless steel	84ES131FL
ES13-1F DIN R	Spring hinge ground stainless steel	84ES131FR
Additional charge	Unhinge safety for spring hinge	MP84AUSH
Additional charge	Sleeve: brass, Spring: stainless steel	MP84FKFES102

Notes
