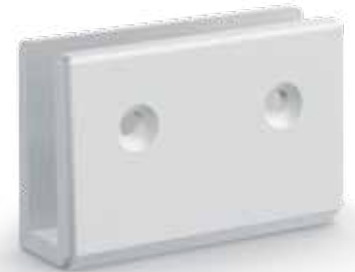
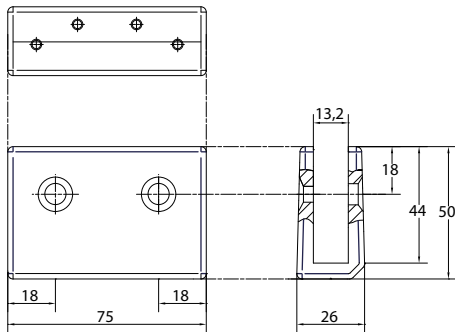


Aluminium hinge adapter AL13-PU (panel-intake U-clamp for swing doors)



Technical facts

- Surface finish: Aluminium anodised
Aluminium powder-coated
(11 colours – colour chart enclosed)
- Recommended Fixation: Adapter to hinge:
to be used for swing door hinge 'Häfele StarTec 927.01.003'
Fixation M4 (hinge not included)
- Adapter to door/panel:
Sleeve nut and screw M6 (2 pieces at additional charge)
- Panel thickness: 13 mm (only)



Article	Description	Order number
AL13-PU	Hinge adapter aluminium anodised	84AL13PUEV
AL13-PU	Hinge adapter powder-coated (11 colours - colour chart enclosed)	84AL13PU_____ (Please specify RAL no.!)
Additional charge	Sleeve nut and screw (steel galvanised) incl. screw cover	MP83SWSS13
Additional charge	Sleeve nut and screw (stainless steel)	MP83SWSES130
Additional charge	Sleeve nut and screw (stainless steel) incl. screw cover	MP83SWSES13

Notes
