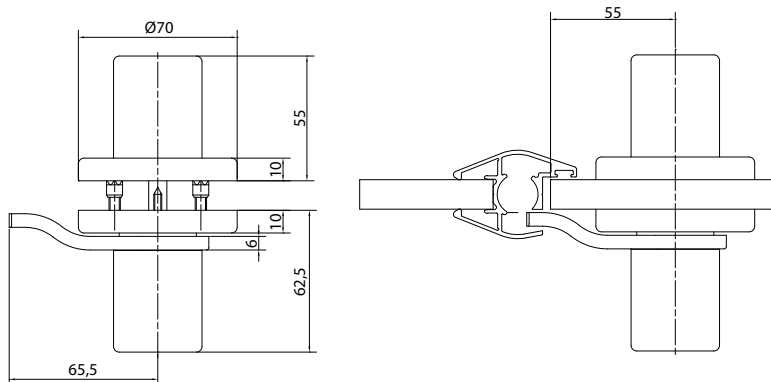


Latch system Combination III

Technical facts

Type:	VEV III aluminium anodised VEV III aluminium powder-coated (11 colours – colour chart enclosed) VES III ground stainless steel
Design:	Rotary knob/indicator knob with rosette incl. integrated indicator (red/green)
Locking type:	Cranked latch (+10 mm) For latch notch within the door-stop-profile
Emergency release:	Coin-operated in plastic black
Door thickness:	From 10 mm door thickness (variable without additional charge)



Article	Description	Order number
VEV III left	Latch system Combination III	82VEV3L*
VEV III right	aluminium anodised	82VEV3R*
VEV III left	Latch system Combination III	82VEV3L_---*
VEV III right	aluminium powder-coated (11 colours - colour chart enclosed)	82VEV3R_---* (Please specify RAL no.!)
VES III left	Latch system Combination III	82VES3L*
VES III right	ground stainless steel	82VES3R*

Special latch design for outwards opening doors, with buffer

Additional charge	Type 12 (12 mm extended)	MP82UP12
	Type CA (+5 mm crank)	MP82UP5CA
	Type DI (+2 mm crank)	MP82UP2DI
	Type NR (-2 mm crank)	MP82UM2NR
	Type PE (tilted-not cranked)	MP82UMPE
Additional charge	Latch for VEV III In ground stainless steel	MP82UES
Additional charge	Emergency release with hexagon socket in stainless steel	MP82INES
Additional charge	Emergency release key for hexagon socket SW7	MP82SW7

Notes

*Please provide information about the thickness of the door leaf with your order.