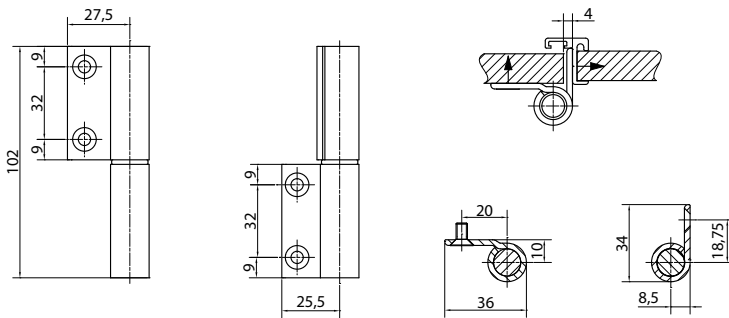


# Stainless steel butt hinge SYS-ES13-12



## Technical facts

Size: 102,0 mm  
 Knuckle diameter: 17 mm  
 Hinge pin diameter: 12 mm  
 Hinge pin: Stainless steel  
 Spring core: Sleeve: brass, Spring: spring steel  
 Stainless steel spring (additional charge)  
 Recommended fixation: Door leaf (directly): counter-sunk screw M5 x 10 with hexagon socket (2 pieces included)  
 Packing unit: 40 hinges



## Tender specification

SYSKO-Stainless steel butt hinge Type: SYS-ES13-12 for unrebrated partition walls  
 2-parts butt hinge for fixation to door leaf without cutout  
 Hinge surface ground stainless steel  
 Available as standard hinge (ES13-12S) or spring hinge (ES13-12F)



Article	Description	Order number
ES13-12S DIN L	Standard hinge ground stainless steel	84ES1312SL
ES13-12S DIN R	Standard hinge ground stainless steel	84ES1312SR
ES13-12F DIN L	Spring hinge ground stainless steel	84ES1312FL
ES13-12F DIN R	Spring hinge ground stainless steel	84ES1312FR
Additional charge	Unhinge safety for spring hinge	MP84AUSH
Additional charge	Sleeve: brass, Spring: stainless steel	MP84FKFES102

## Notes

---



---



---



---



---



---



---



---



---



---