

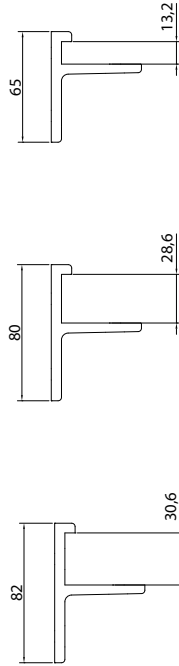
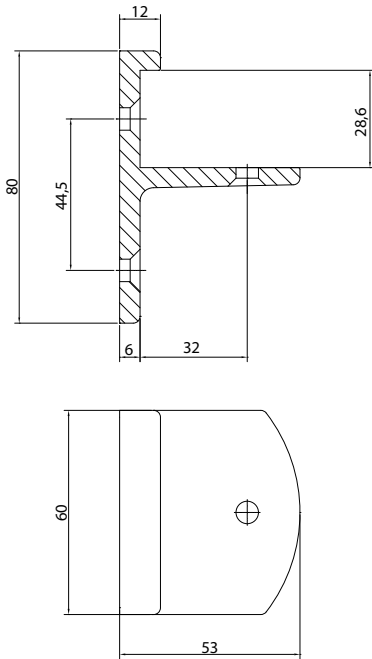
Aluminium console angle



Technical facts

Stable panel holder for wall mounting
 Fixation accessories for brickwork (not included)

Material: Aluminium



Article	Panel thickness	Surface finish	Order number
Console angle KONW	13 mm	Aluminium raw	83KONW13ROH
	28 mm		83KONW28ROH
	30 mm		83KONW30ROH
Console angle KONW	13 mm	Aluminium anodised	83KONW13EV1
	28 mm		83KONW28EV1
	30 mm		83KONW30EV1
Console angle KONW	13 mm	Aluminium powder-coated (11 colours - colour chart enclosed)	83KONW13_____
	28 mm		83KONW28_____
	30 mm		83KONW30_____
			(Please specify RAL no.!)
Additional charge	TORX 13,5 size 25	screw cover for wall mounting (1 piece)	MP83SWTORX1

Notes
