

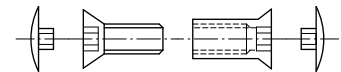
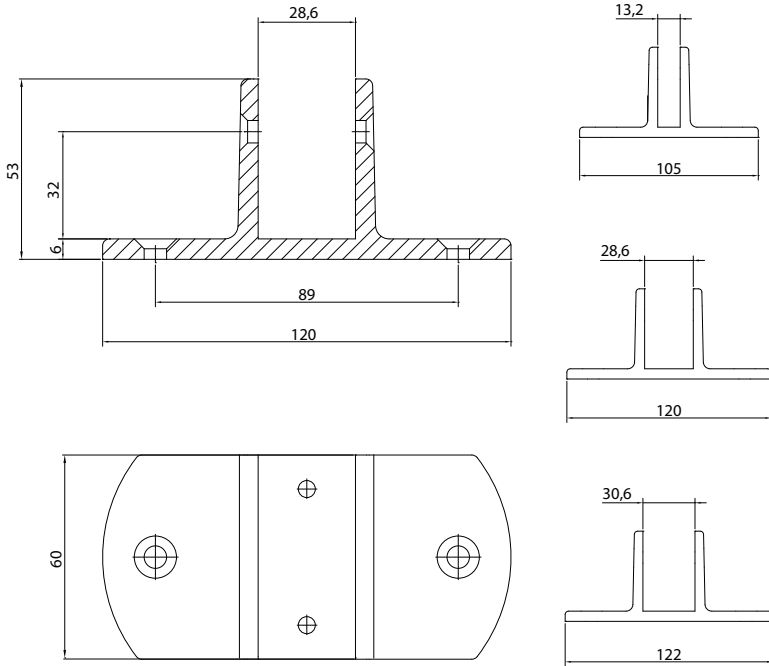
# Aluminium twin angle



## Technical facts

Stable panel holder for wall mounting  
 Fixation accessories for panels (additional charge)  
 Fixation accessories for brickwork (not included)

Material: Aluminium



Sleeve nut counter-sunk with hexagon socket and counter-sunk screw with hexagon socket incl. screw covers.

Article	Panel thickness	Surface finish	Order number
Twin angle SWDW	13 mm	Aluminium raw	83SWDW13ROH
	28 mm		83SWDW28ROH
	30 mm		83SWDW30ROH
Twin angle SWDW	13 mm	Aluminium anodised	83SWDW13EV1
	28 mm		83SWDW28EV1
	30 mm		83SWDW30EV1
Twin angle SWDW	13 mm	Aluminium powder-coated (11 colours - colour chart enclosed)	83SWDW13_ _ _ _
	28 mm		83SWDW28_ _ _ _
	30 mm		83SWDW30_ _ _ _ (Please specify RAL no.!)
Additional charge	13 mm	Sleeve nut and screw (steel galvanised) incl. screw cover	MP83SWSS13
	28 mm		MP83SWSS28
	30 mm		MP83SWSS30
Additional charge	13 mm	Sleeve nut and screw (stainless steel) incl. screw cover	MP83SWSES13
	28 mm		MP83SWSES28
	30 mm		MP83SWSES30
Additional charge	TORX 13,5 size 25	screw cover for wall mounting (2 pieces)	MP83SWTORX2

## Notes

---



---



---



---



---



---



---



---



---



---