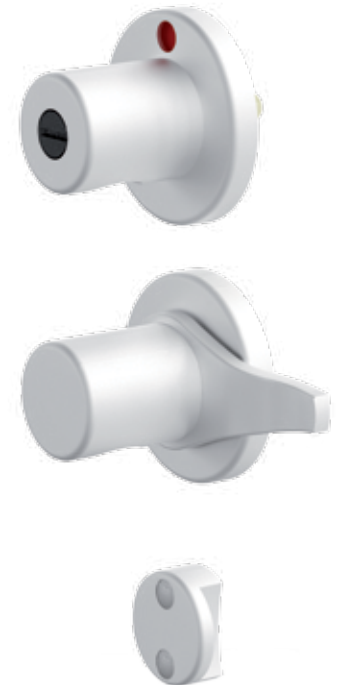
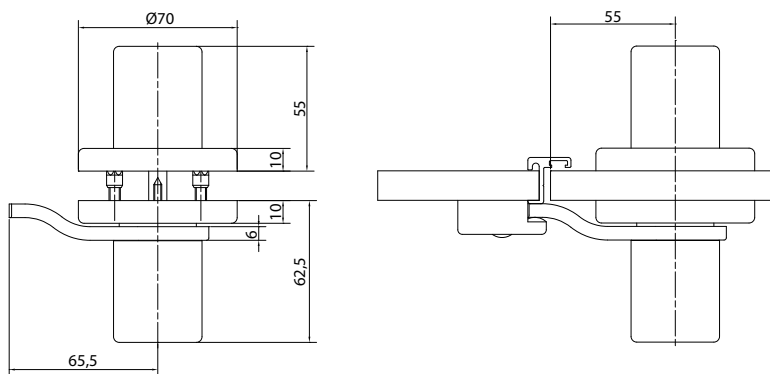


Latch system Combination III and Keep for latch

Technical facts

Type:	VEV III aluminium anodised VEV III aluminium powder-coated (11 colours – colour chart enclosed) VES III ground stainless steel
Design:	Rotary knob/indicator knob with rosette incl. integrated indicator (red/green)
Locking type:	Cranked latch (+10 mm) On the door leaf, Keep for latch
Emergency release:	Coin-operated in plastic black
Door thickness:	From 10 mm door thickness (variable without additional charge)
Fixation:	Keep for latch: cylinder head screw M6 x 20 stainless steel incl. screw cover (2 pieces included)



Article	Description	Order number
VEV III left	Latch system Combination III	82VEV3L*
VEV III right	aluminium anodised	82VEV3R*
VEV III left	Latch system Combination III	82VEV3L_ _ _ _ *
VEV III right	aluminium powder-coated (11 colours - colour chart enclosed)	82VEV3R_ _ _ _ * (Please specify RAL no.!)
VES III left	Latch system Combination III	82VES3L*
VES III right	ground stainless steel	82VES3R*
GK	Keep for latch aluminium anodised	82VEVGK
GK	Keep for latch aluminium powder-coated (11 colours - colour chart enclosed)	82VEVGK_ _ _ _ (Please specify RAL no.!)
GK	Keep for latch ground stainless steel	82VESGK
Additional charge	Latch for outward opening doors with backfacing buffer	MP82UP
Additional charge	Emergency release with hexagon socket in stainless steel	MP82INES
Additional charge	Emergency release key for hexagon socket SW7	MP82SW7

Notes
