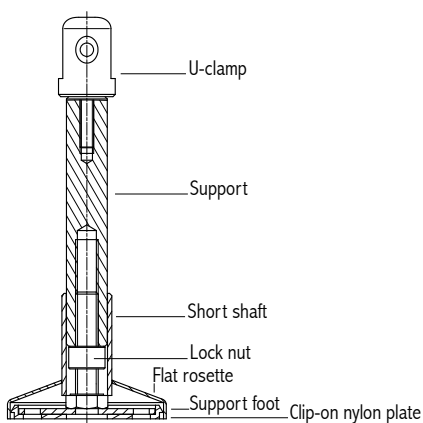


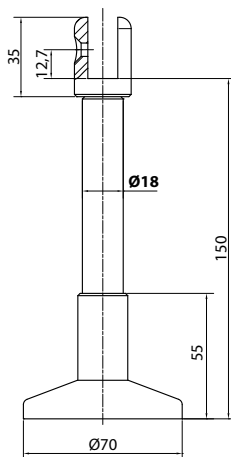
Clamping support leg U2-Stainless steel (13 mm panel thickness)

Technical facts

- Support foot: Steel galvanised or stainless steel (additional charge)
M10 x 45 (including clip-on nylon plate)
- Support with U-clamp: Stainless steel – Ø 18 mm with round U-clamp
Support length: 110 mm (150 mm ground clearance)
- Short shaft and flat rosette: Stainless steel for type U2.5
- Panel fixation: Screws DIN7983 4,8 x 16 stainless steel (1 piece) respectively
Through-hole with sleeve nut (additional charge)



Representation U2.5/13



Prices for 150 mm and 100 mm ground clearance.

Article	Description	Order number
U2.5/13	Complete support leg (support, flat rosette and short shaft: ground stainless steel)	81U2513
Additional charge	Support foot in stainless steel	MP81GFES
Additional charge	Excess- and Short length stainless steel support (up to 200 mm ground clearance)	MP81RUUES
Additional charge through-hole	Sleeve nut without slit and screw (stainless steel)	MP81UES13D

Notes
