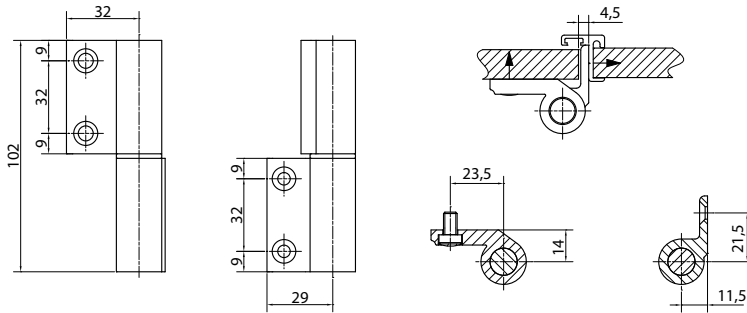


Aluminium butt hinge SYS-AL13-12



Technical facts

Size: 102,0mm
 Knuckle diameter: 20 mm
 Hinge pin diameter: 12 mm
 Hinge pin: Stainless steel
 Spring core: Sleeve: steel galvanised, Spring: spring steel
 Stainless steel (additional charge)
 Recommended fixation: Door leaf: cylinder head screw (SS) M6 x 10
 incl. screw cover (2 pieces included)
 Packing unit: 30 hinges



Tender specification

SYSKO-Aluminium butt hinge Type: SYS-AL13-12 for unrebated partition walls
 2-parts butt hinge for fixation to door leaf without cutout
 Hinge surface aluminium anodised or powder-coated
 Bush bearing in nylon to guide hinge pins
 Available as standard hinge (AL13-12S) or spring hinge (AL13-12F)
 Unhinge safety for spring hinge (additional charge)



Article	Description	Order number
AL13-12S DIN L	Standard hinge aluminium anodised	84AL1312SEVL
AL13-12S DIN R	Standard hinge aluminium anodised	84AL1312SEVR
AL13-12F DIN L	Spring hinge aluminium anodised	84AL1312FEVL
AL13-12F DIN R	Spring hinge aluminium anodised	84AL1312FEVR
AL13-12S DIN L	Standard hinge powder-coated (11 colours - colour chart enclosed)	84AL1312S_ _ _ _L (Please specify RAL no.!)
AL13-12S DIN R	Standard hinge powder-coated (11 colours - colour chart enclosed)	84AL1312S_ _ _ _R (Please specify RAL no.!)
AL13-12F DIN L	Spring hinge powder-coated (11 colours - colour chart enclosed)	84AL1312F_ _ _ _L (Please specify RAL no.!)
AL13-12F DIN R	Spring hinge powder-coated (11 colours - colour chart enclosed)	84AL1312F_ _ _ _R (Please specify RAL no.!)
Additional charge	Unhinge safety for spring hinge	MP84AUSH
Additional charge	Spring core, spring and sleeve in stainless steel	MP84FKES102

Notes
